

**nVIO**  
SIMULATION

FORCELL

3 Pedal Set

Instruction Manual

# Contents of the Package:

- 1 x Accelerator pedal unit
- 1 x Brake unit
- 1 x Clutch unit (when purchasing a 3-pedal set)
- 1 x Foot rest
- 4 x Elastomer Bushings for individual adjustment of the brake pressure
- USB connection cable
- Small parts (screws, nuts and washers) for attachment to the baseplate or another selected surface
- Screws: 12x M6
- Washers: 24x
- Nuts: 12x M6

# Technical data:

- Material: consisting of 3 + 4 mm stainless steel
- 16-bit Controller
- LoadCell Brake
- Accelerator and Clutch unit controlled by wear-free Hall effect sensors
- Main axes each with 2 ball bearings
- Hall Effect sensor housing is ball bearing mounted
- Adjustable stops
- Adjustable degree of pressure for the Accelerator and Brake pedal unit
- Weight: approx. 8 KG without base plate

# Assembly 1/2

## Mounting on the base plate

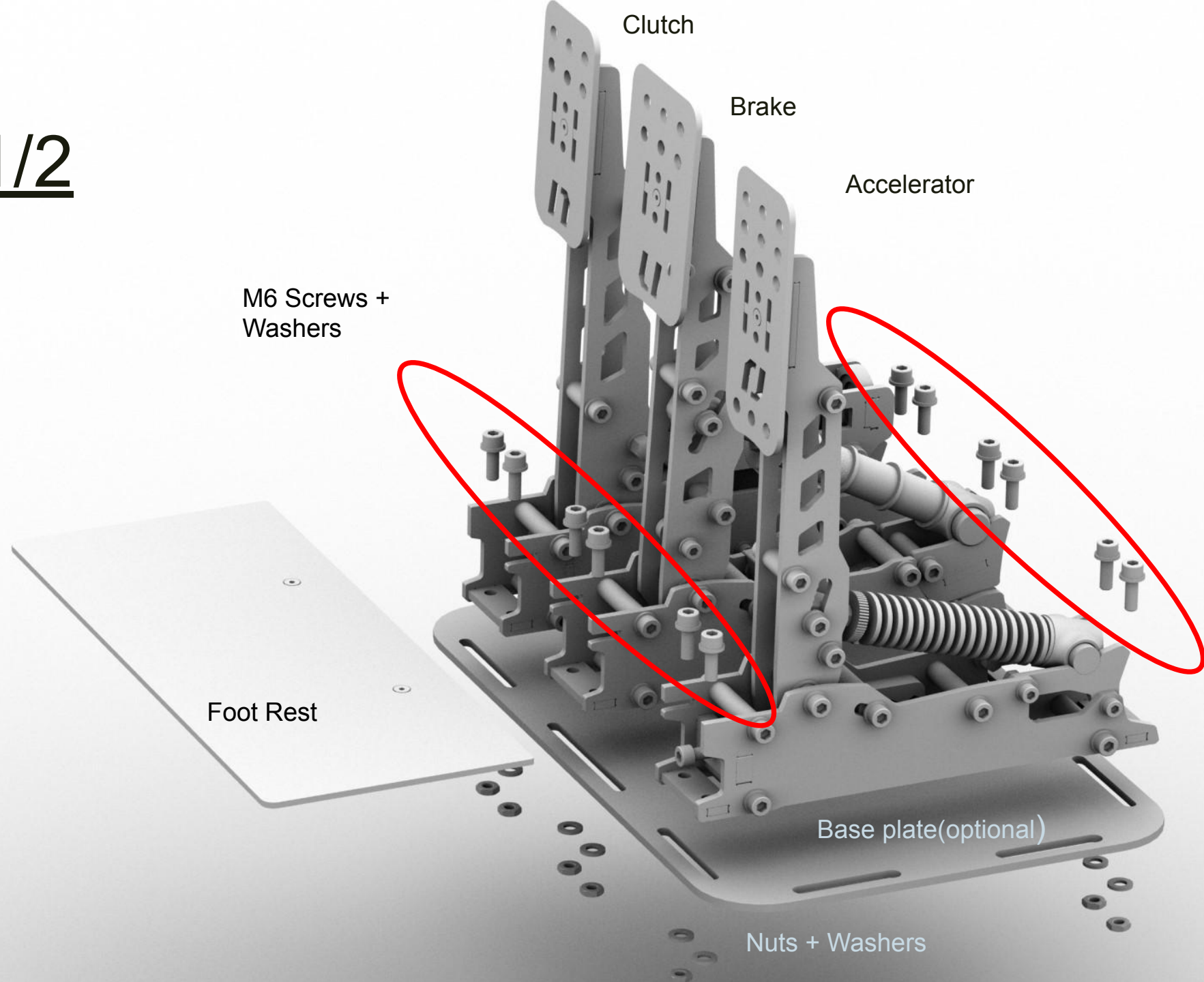
### Required tools:

10mm Wrench or socket  
2.5mm Hex (allen) wrench

## Foot Rest

### Required tools:

Phillips Head Screwdriver

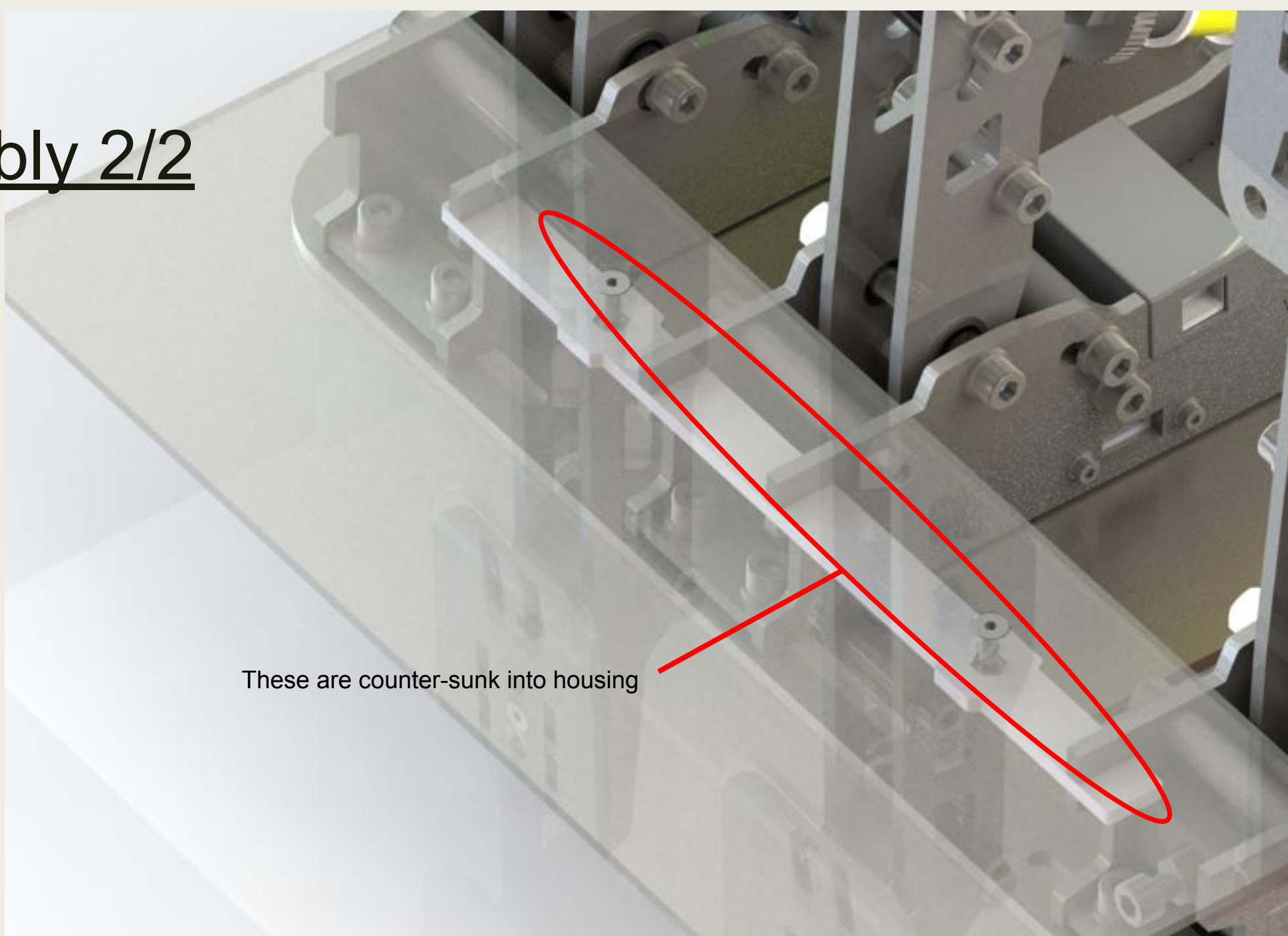


# Assembly 2/2

**Footrest**

2.5mm Hex wrench

These are counter-sunk into housing



# Accelerator Pedal 1/3

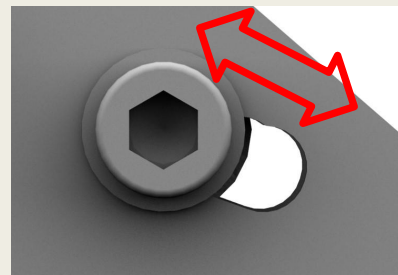
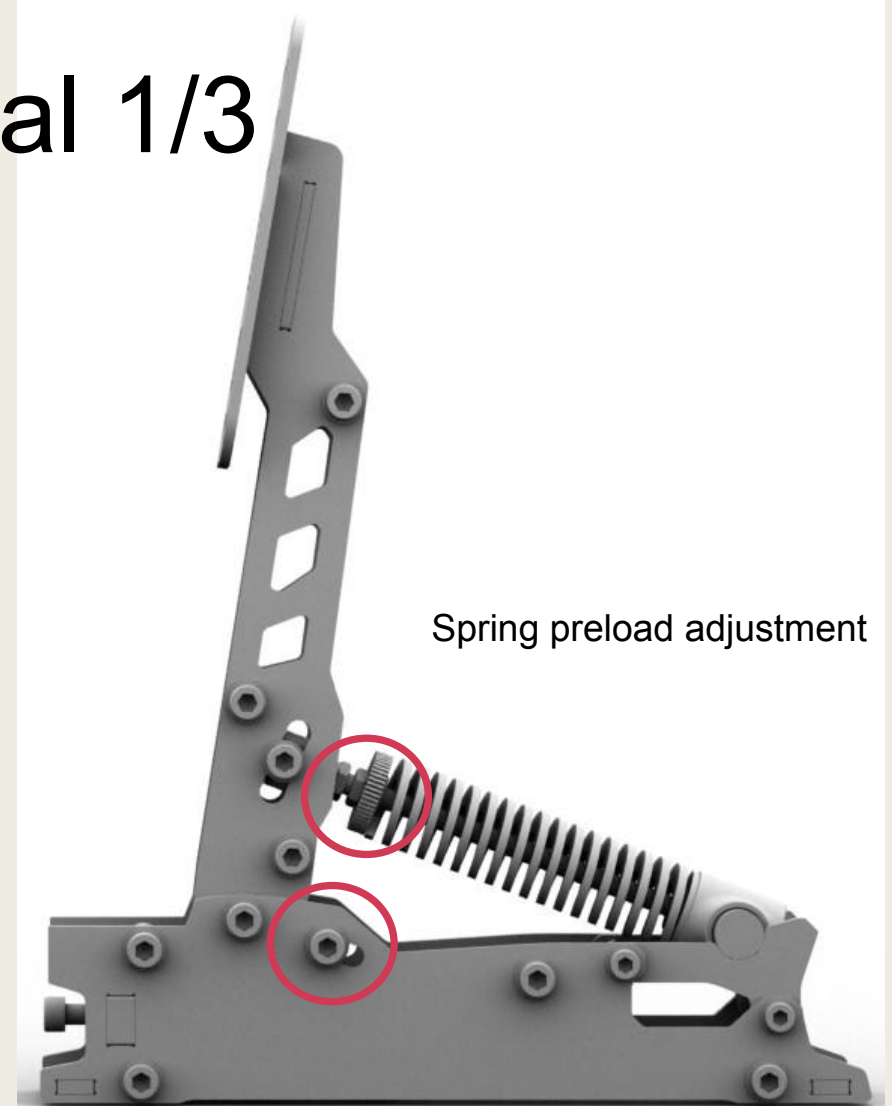
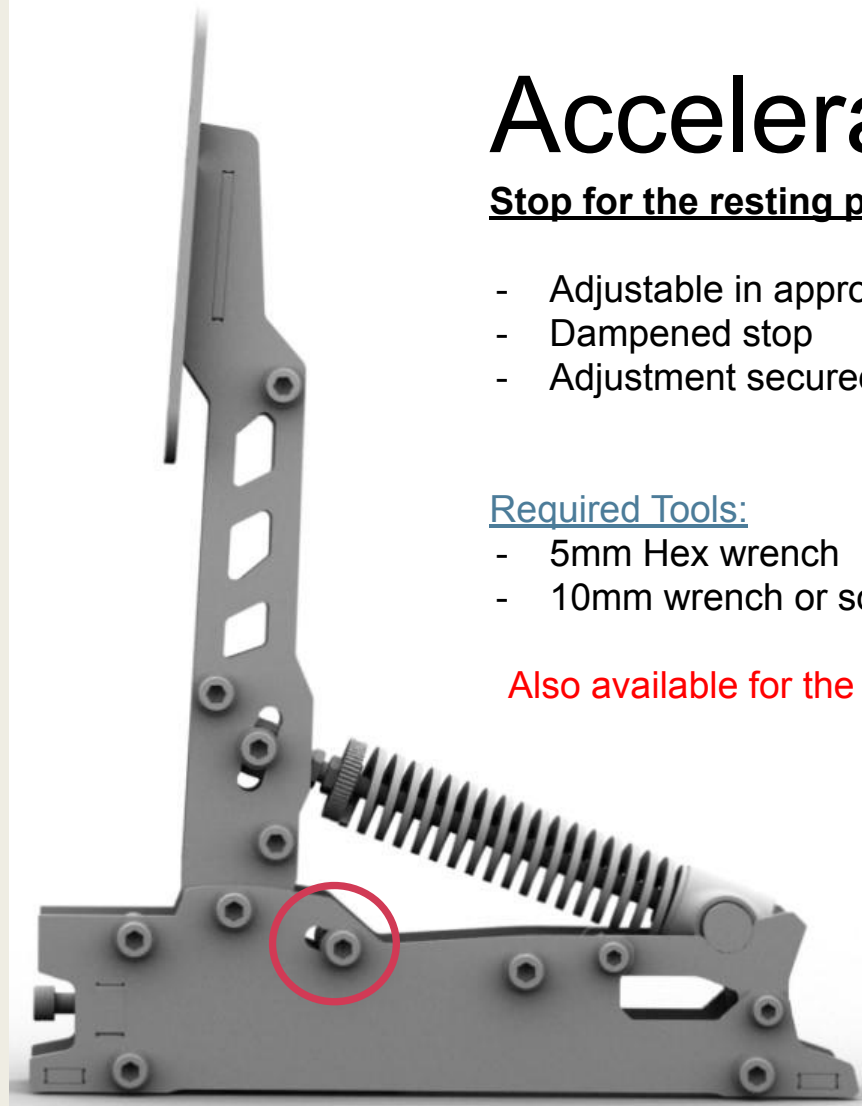
## Stop for the resting position

- Adjustable in approx. 1° increments
- Dampened stop
- Adjustment secured by slots

## Required Tools:

- 5mm Hex wrench
- 10mm wrench or socket

Also available for the brake and clutch unit!



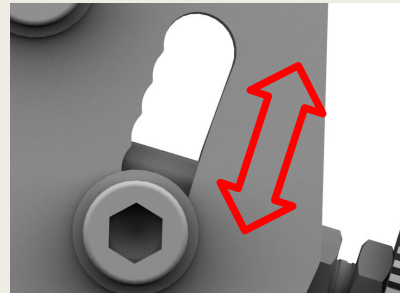
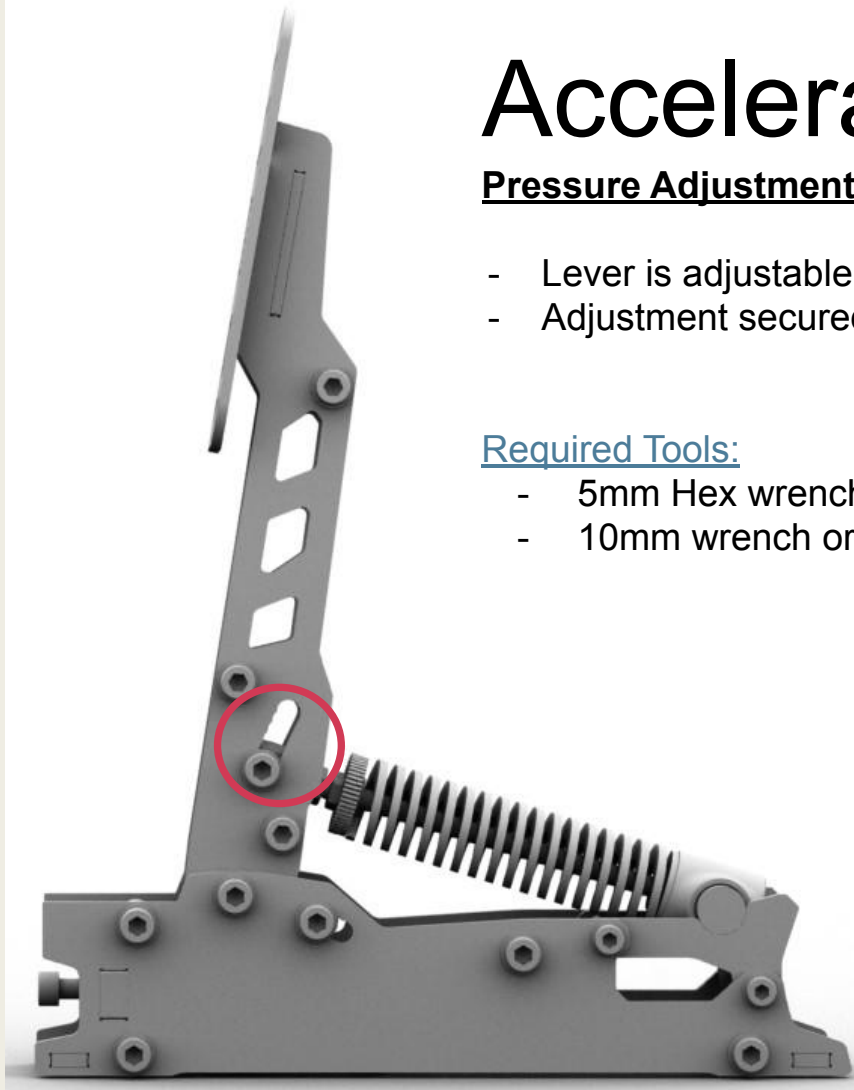
# Accelerator 2/3

## Pressure Adjustment

- Lever is adjustable in 7 steps
- Adjustment secured by slots

## Required Tools:

- 5mm Hex wrench
- 10mm wrench or socket



# Accelerator 3/3

## Stop for end position

- Continuously adjustable
- Dampened end stop

## Required Tools:

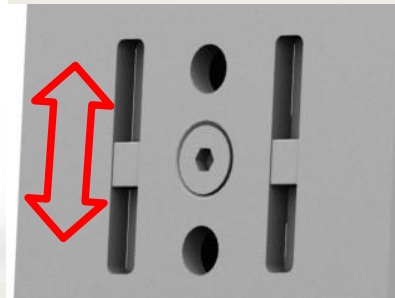
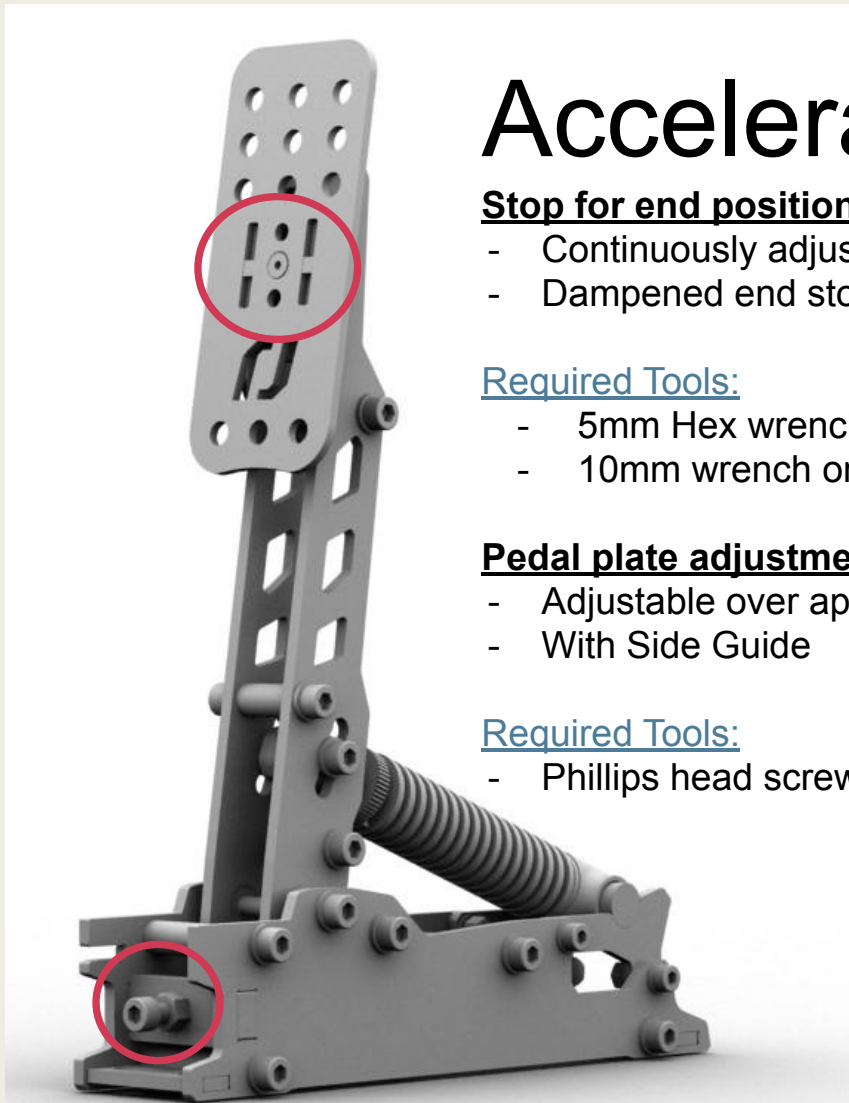
- 5mm Hex wrench
- 10mm wrench or socket

## Pedal plate adjustment

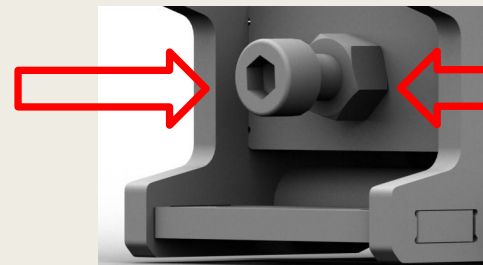
- Adjustable over approx. 20mm
- With Side Guide

## Required Tools:

- Phillips head screwdriver



Hex head M6 Screw



Counter nut



# Brake Pedal 1/3

## Adjustment for Brake Pressure

- Adjustable with elastomer bushings and lever arm
  - > Page 2/3 und 3/3

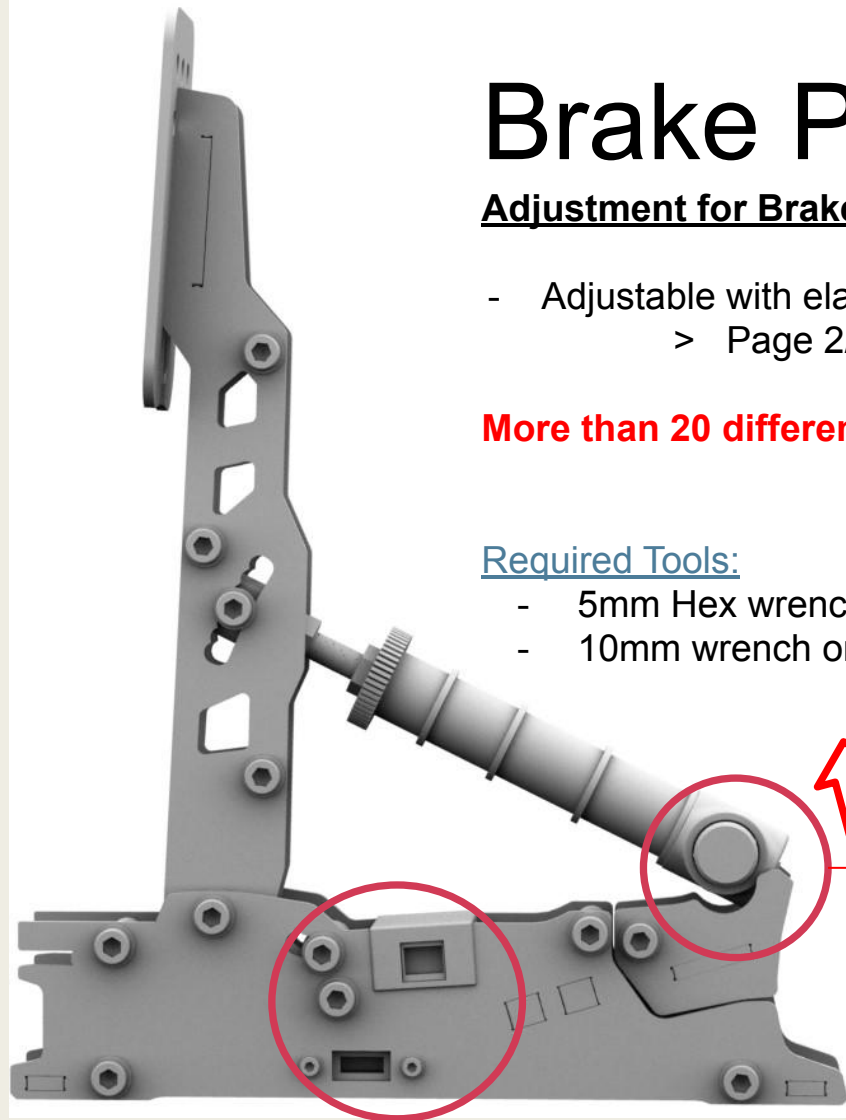
**More than 20 different degrees of pressure adjustments!**

### Required Tools:

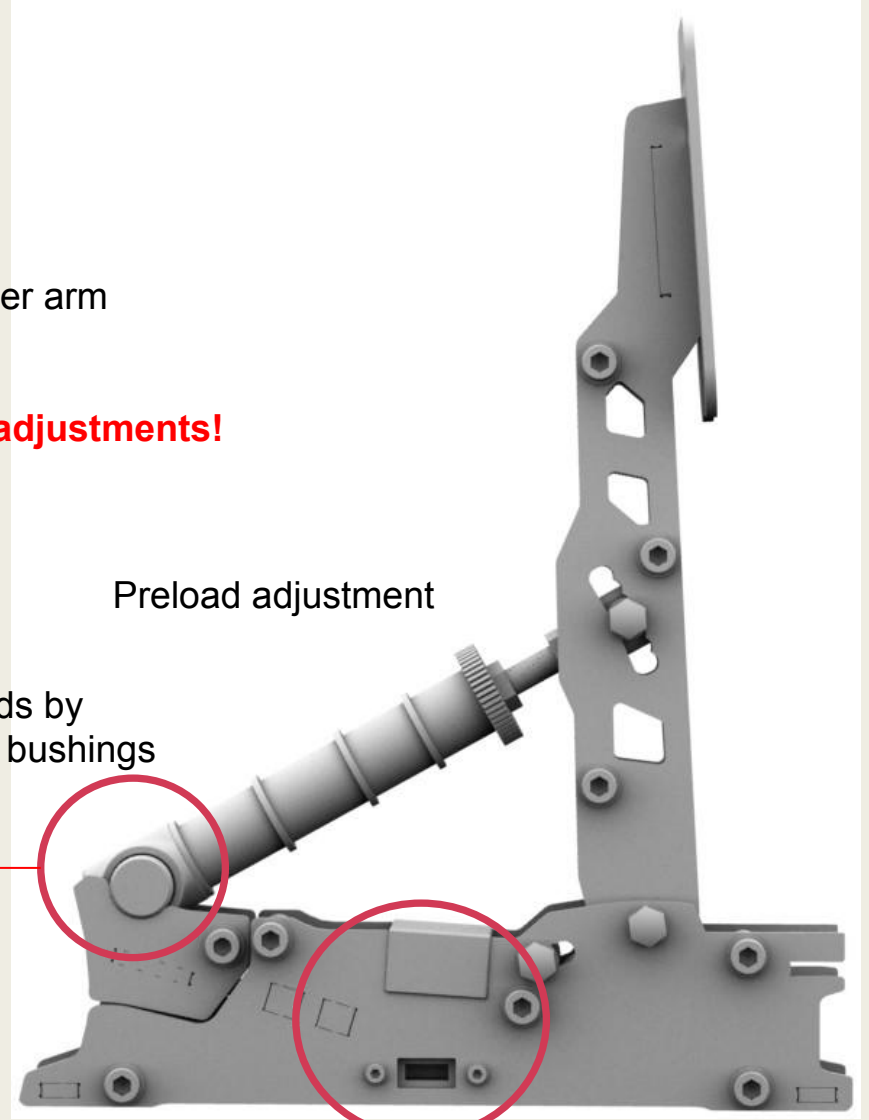
- 5mm Hex wrench
- 10mm wrench or socket

Adjustable in seconds by changing elastomer bushings

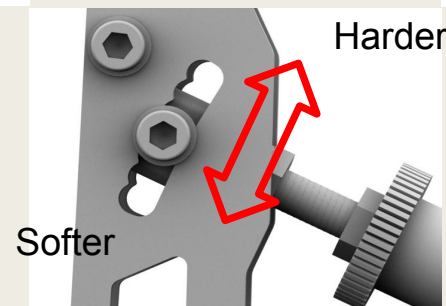
Preload adjustment



USB Connections to PC and for Accelerator unit



USB Connection for Clutch Pedal unit



# Brake Pedal 2/3

## Possible Variants for Elastomer Bushings

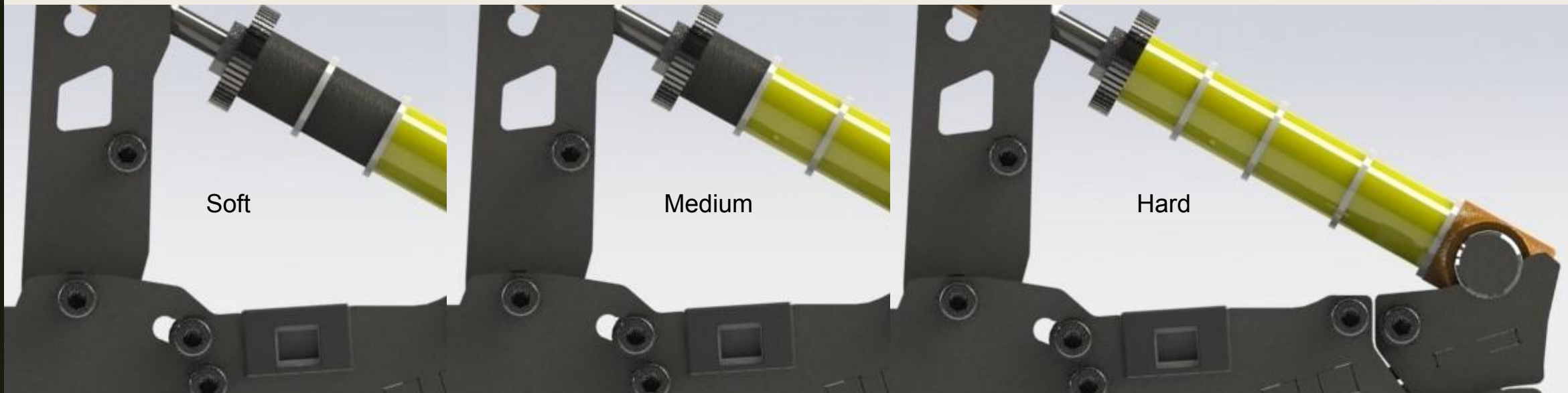
- Three adjustments with Elastomer Bushings
- Seven additional adjustments by lever arm

## Elastomer Bushings

- Black: Soft
- Yellow: Hard

## Required tools:

- None



# Brake Pedal 3/3

## Possible pressure adjustments with the lever arm

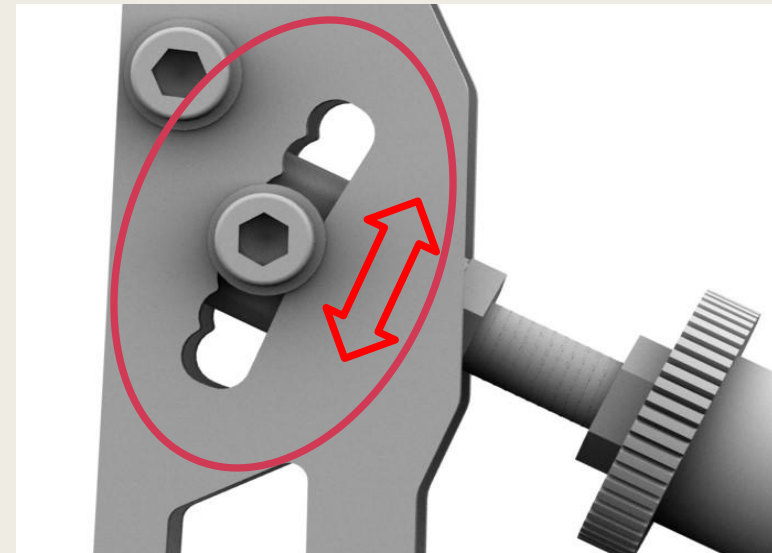
- Seven different adjustments via slotted holes
  - (5% difference per slot)
- Slip is protected by the slots

### Advantage:

Quick change via the slotted hole with a high degree of protection from slippage, even when extreme force is applied

### Required Tools:

- 5mm Hex wrench
- 10mm wrench or socket



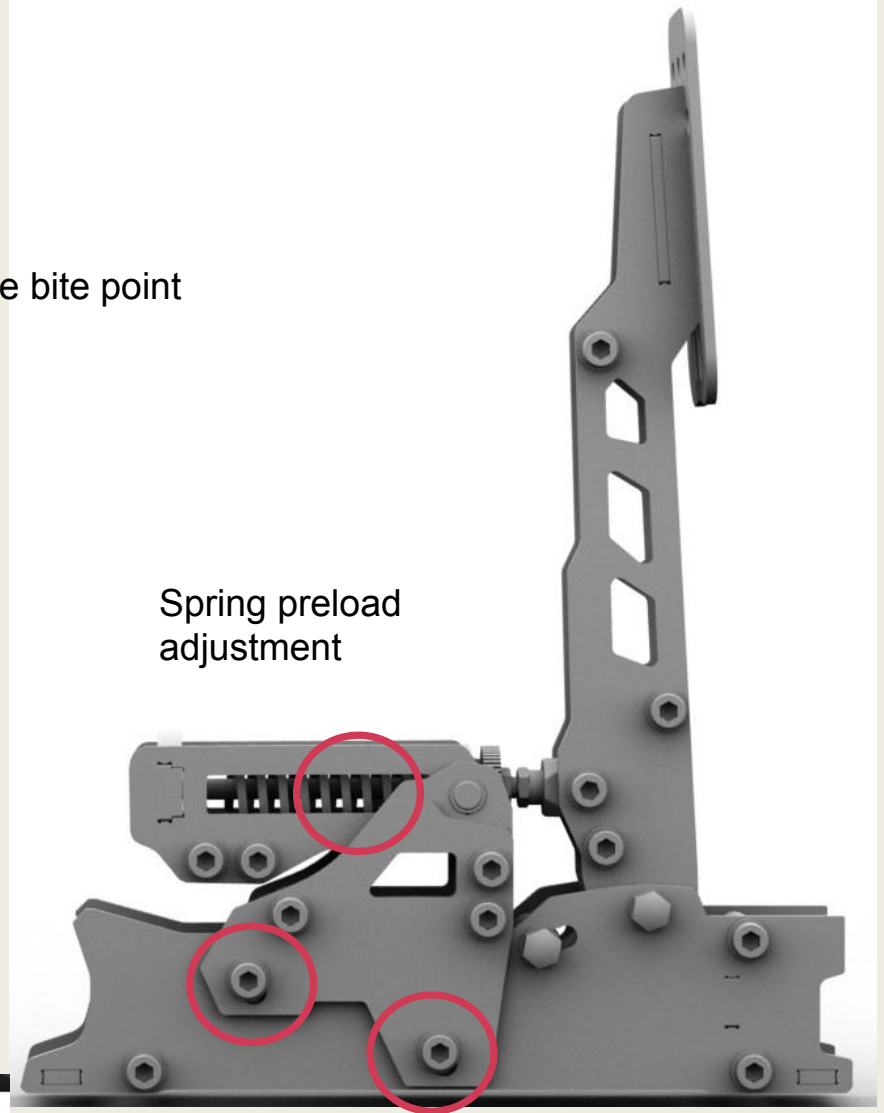
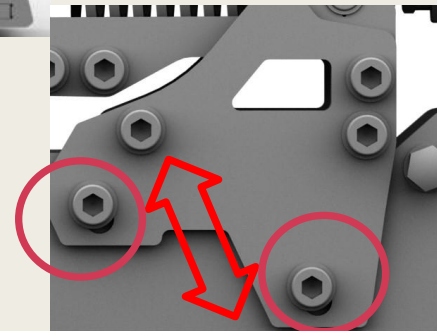
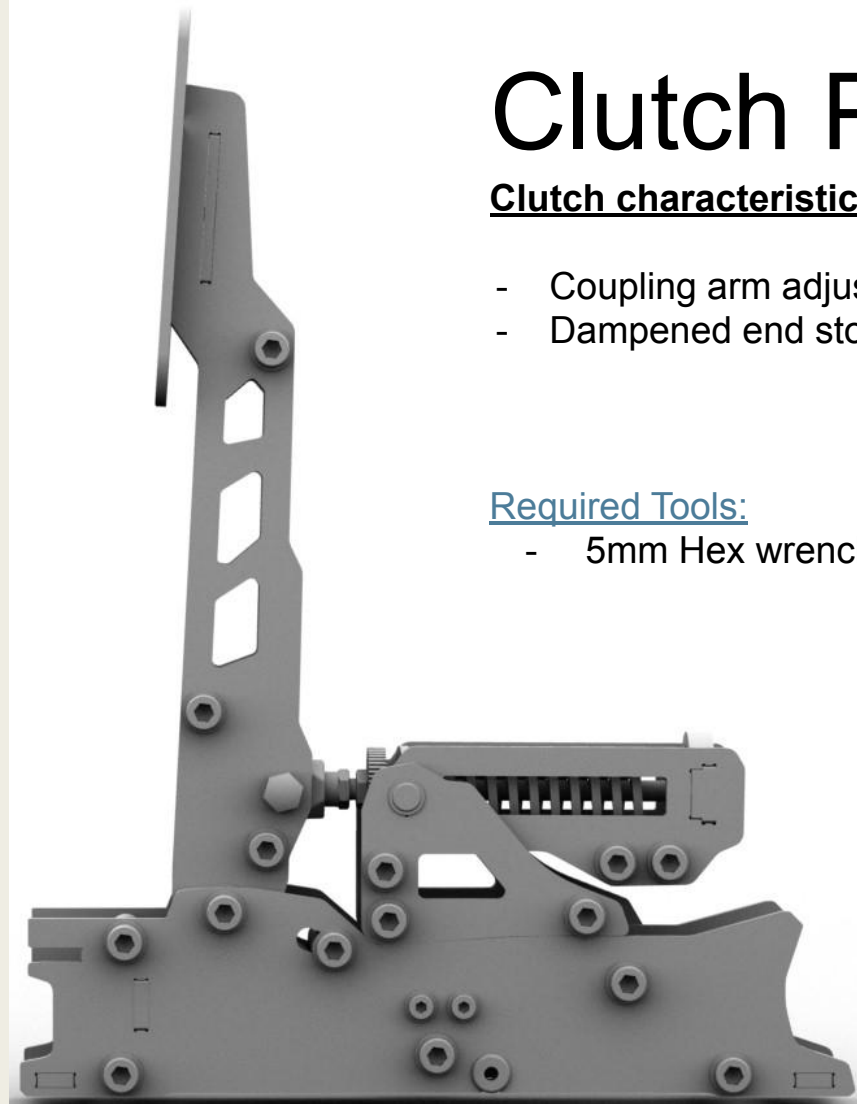
# Clutch Pedal 1/1

## Clutch characteristics adjustability

- Coupling arm adjustable in height to change bite point
- Dampened end stop

## Required Tools:

- 5mm Hex wrench



Spring preload adjustment

# Electronics

## 16 Bit LoadCell Controller

- Driver installation is **not** required. (plug and play)
- Configurable directly in game or via DView [Link](#)

