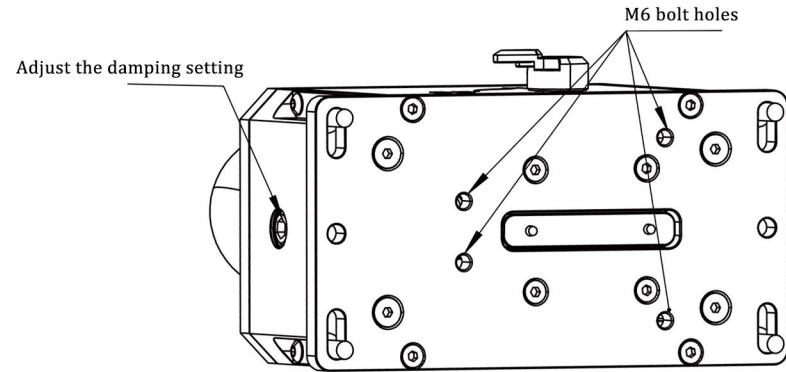
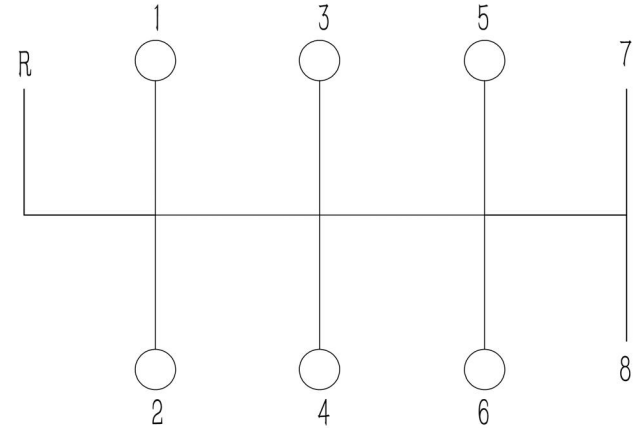
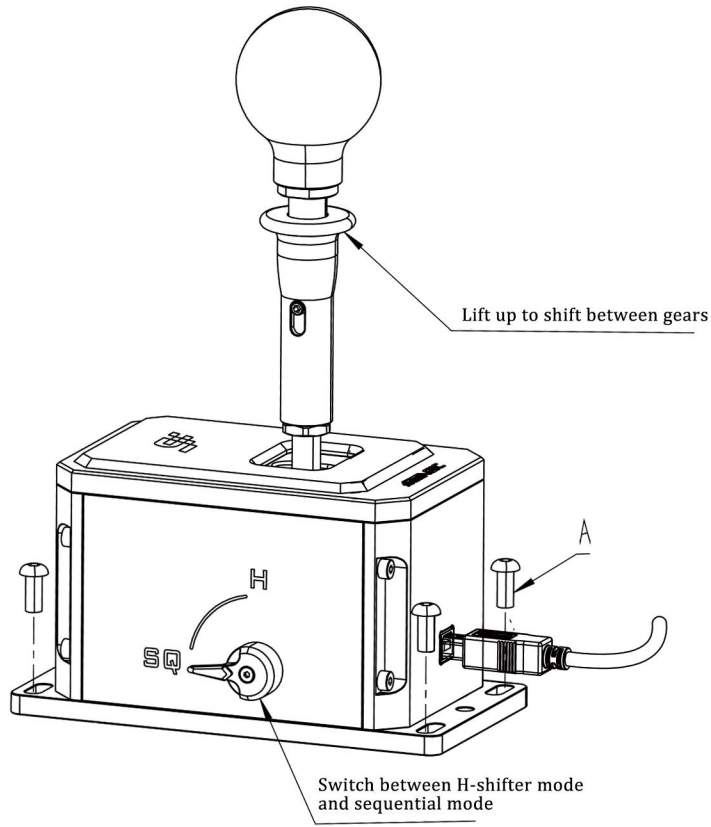




A. Round Head Bolt M6-14 X4





Round Head Bolt M6-14 X4

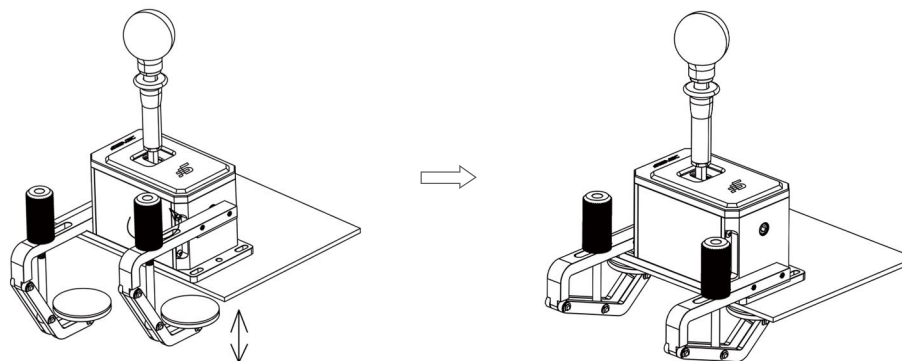


Multifunctional L Shaped Bracket X 1



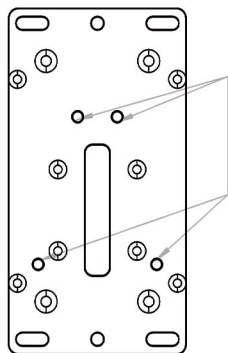
Multifunctional Desk Fixture X2

## Install the P-DFT on a DS-8X Shifter



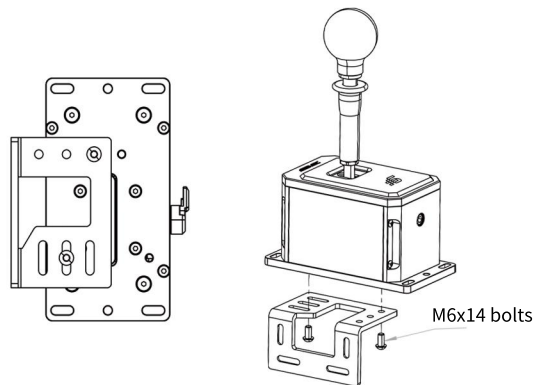
## Install the P-LOK on a DS-8X Shifter

Base plate of the Shifter



M6 bolt mounting hole sizes should not exceed 20mm.

### Mounting Method ①



### Mounting Method ②

