

# SIMAGIC

## Neo X | 快速指南

### 1.0 配件清单

USB Type-C x 1

沉头螺钉M5-14 x 8

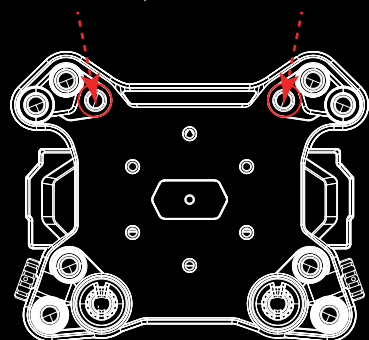
按键贴纸 x 1

六角扳手 x 1 (3mm)

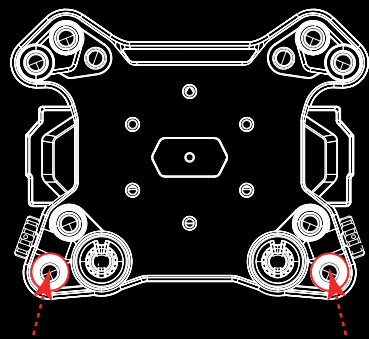
### 2.0 方向盘快捷功能键

#### 2.1 离合校准模式

七向开关同时向上推5秒进入离合校准模式，将离合拨片各按到底一次即可完成离合校准 (须安装带有离合拨片的拨片模块)



#### 2.2 恢复出厂设置

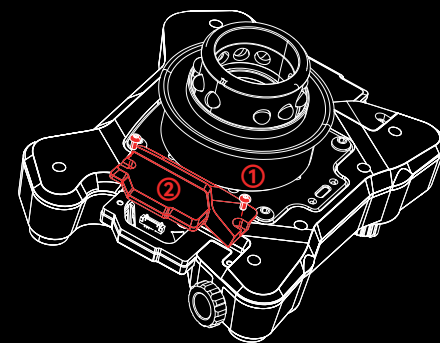


同时按下5秒恢复出厂设置 (仅方向盘)

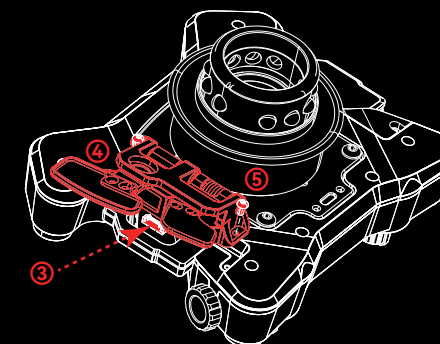
### 3.0 方向盘调节

#### 3.1 安装拨片组

- ① 拆下两颗螺钉
- ② 取掉拨片档盖

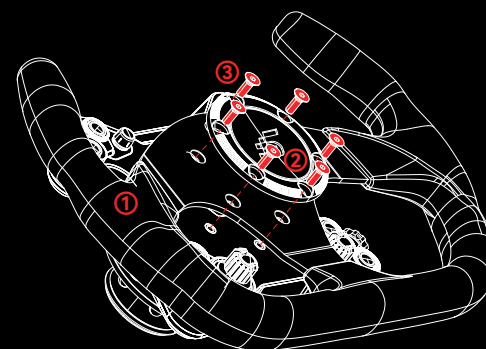


- ③ 将线接入端子母座
- ④ 放上拨片模块
- ⑤ 锁紧两颗螺钉



#### 3.2 安装盘面

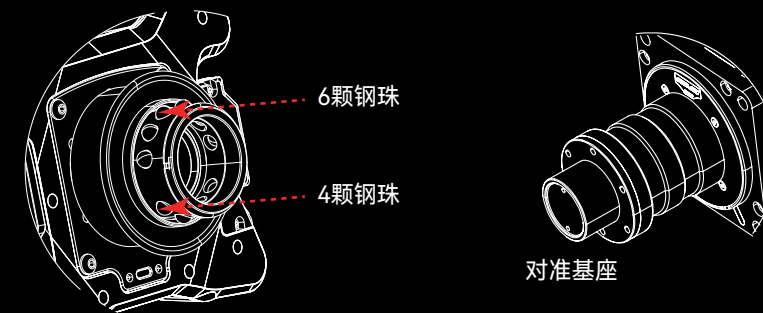
- ① 放上盘面
- ② 放上装饰盖
- ③ 锁紧6颗螺钉



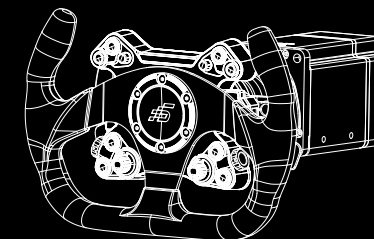
### 4.0 方向盘与基座连接

#### 4.1 与基座连接

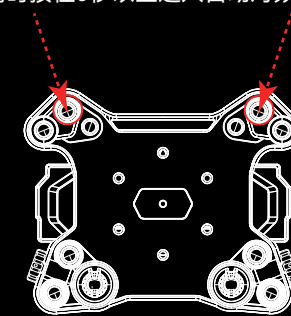
方向盘快拆结构为上6颗钢珠，下为4颗钢珠



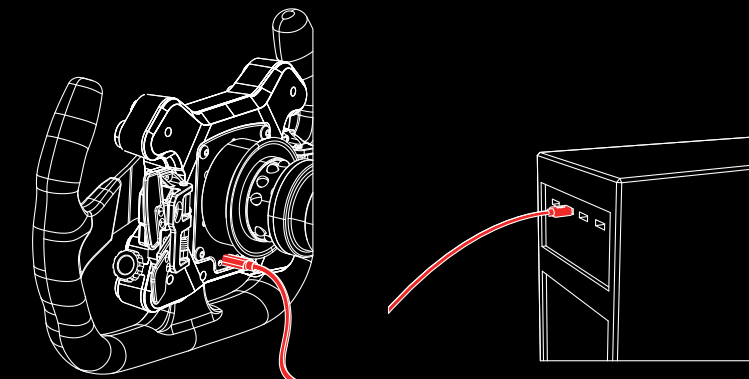
连接基座时，将方向盘插入基座并按下对频按键进行连接



同时按住5秒以上进入自动对频识别



#### 4.2 与PC连接



如对频无响应，使用附带的USB Type-c线缆接入方向盘背后的接口与PC连接  
使用SimPro Manager同步方向盘频道 (使用无线模式游玩前请拔下线缆)

注意：使用该产品需要在PC端下载并安装Simpro Manager进行设置

### 软件及应用



在PC端安装  
SimPro Manager  
进行设置



产品教程  
(更多相关资料扫码查看)

# SIMAGIC

## Neo X | Quick Guide

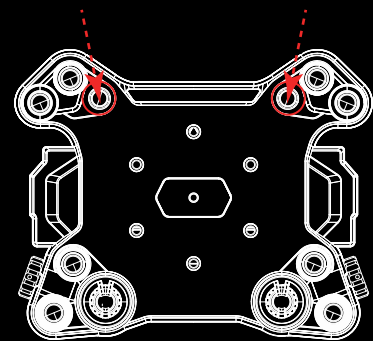
### 1.0 List of Accessories

- USB Type-C x 1
- Countersunk Head Screw M5-14 x 8
- Cap Stickers x 1
- Allen Key x 1 (3mm)

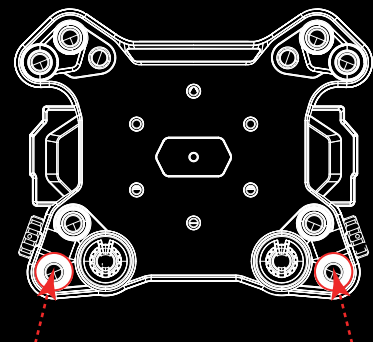
### 2.0 Steering Wheel Hotkeys

#### 2.1 Clutch Calibration

Push the seven-way funky switch upwards for 5 seconds to enter clutch calibration mode. Press the clutch paddles all the way down once to complete the clutch calibration. (The paddle module with clutch paddles must be installed.)



#### 2.2 Factory Reset

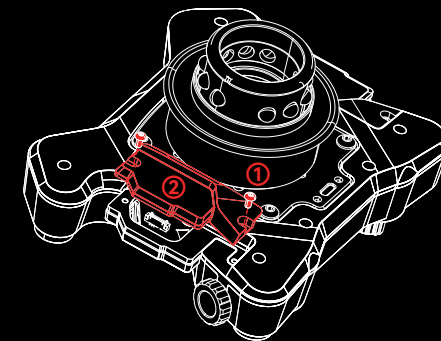


Press and hold the two indicated buttons simultaneously for 5 seconds to reset the wheel back to factory default settings.

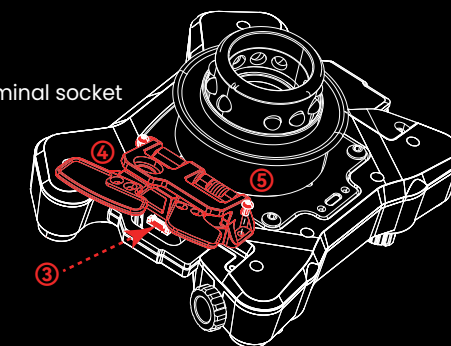
### 3.0 Steering Wheel Adjustments

#### 3.1 Install the Paddle Module

- Remove the two screws
- Take off the paddle cover

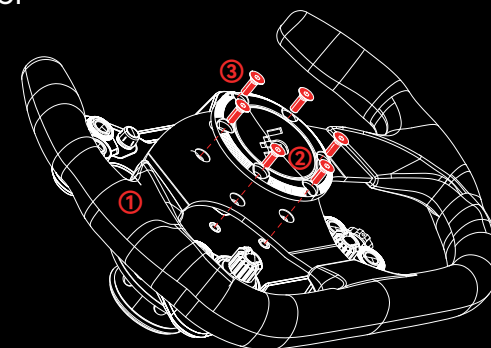


- Connect the wire to the terminal socket
- Place the paddle module
- Tighten the two screws



#### 3.2 Install the Wheel

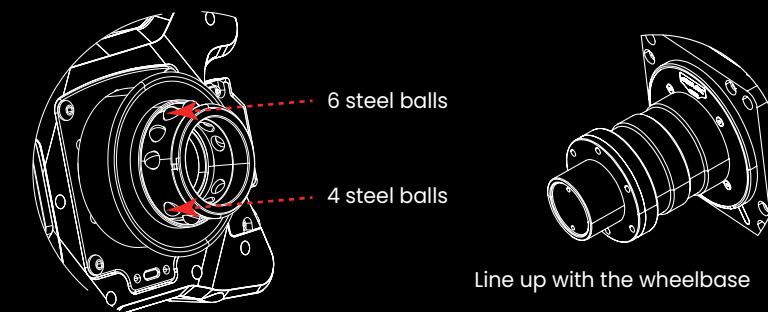
- Place the wheel
- Place the front plate
- Tighten the six screws



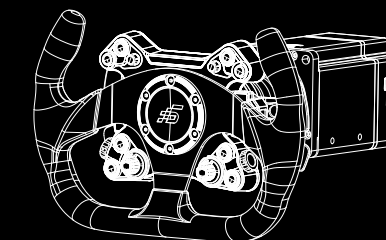
### 4.0 Steering Wheel and Wheelbase Connection

#### 4.1 Wheelbase connection

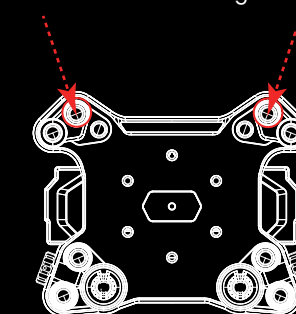
The quick release assembly contains 6 steel balls on the top half, and 4 steel balls on the bottom half.



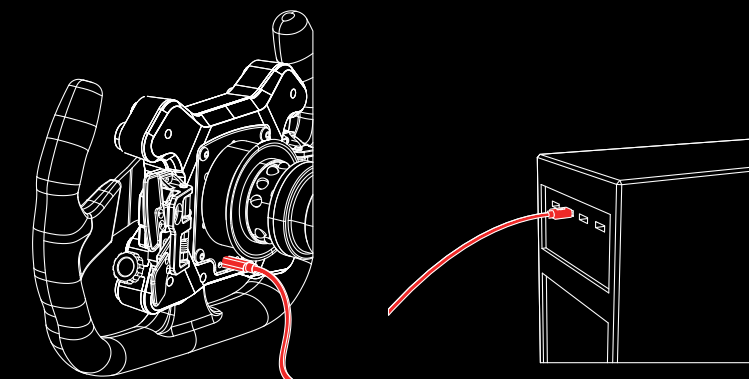
To pair the wheel to the wheelbase, attach the wheel and press the indicated buttons below to sync the frequency.



Press both buttons simultaneously for 5 seconds to activate Auto Pairing Mode.



#### 4.2 PC connection



If there's no response when using the auto pairing mode, attach the included USB Type-C cable from the socket at the back of the wheel to the socket on the PC to manually sync the frequency. (Please unplug the cable before driving in wireless mode.)

Note: SimPro Manager required to complete setup

#### Software & applications



Install SimPro Manager on PC to complete setup



Product Tutorial (Scan the QR code to view more)